

b-pure

FOR PUBLIC TRANSPORTATION

Suitable for:

Trains
Metro
Buses
Ferries



biopharmax

Healthy. Clean. Safe

How the unit works

1 Initial Filtration

Filter captures and removes particles from the air.

2 ULPA Filtration

Filter traps particles up to 0.12 microns and larger in diameter.

3 Blower

4 UV-C bulbs

Powerful UV-C bulbs neutralize virus and other pathogens by damaging their DNA.

5 Carbon Filtration

Absorbs and traps pollutants and gases. Also effective for odor treatment.

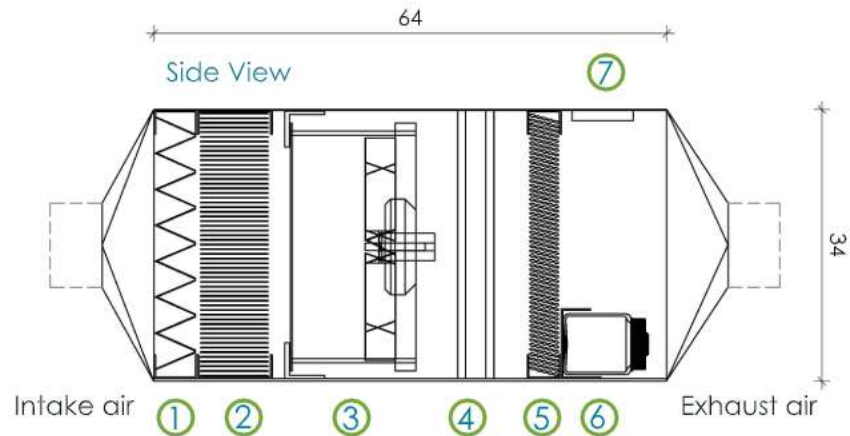
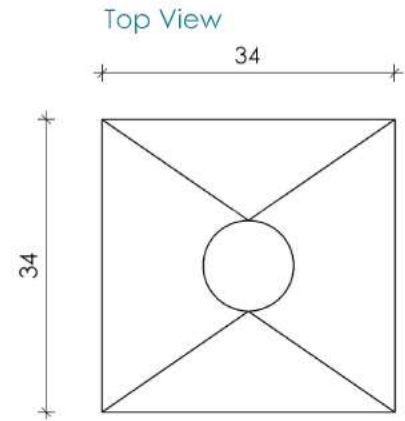
6 Probiotic System

A unique purification process that releases beneficial Environmental Probiotics into the air and onto surfaces and objects, preventing the growth of harmful bacteria, mold, viruses and allergens.



7 Air ionizer - option

A bi-polar ionizer generates ionized oxygen that decomposes the protein structure of pollutants by chemical reaction.



Technical Specifications

Airflow	Adjustable up to 500m ³ /h
Arrestance	0.1-0.2 μm
Filtration efficiency	99.9995%
UV Wave length	254 nm UVC
Dimensions	(Length Width Height) 34X34X75cm
Weight	33 Kg
Fixture	Ceiling Fixed Unit
Noise level	35-65 dBa
Voltage	1Ph/230V/50HZ
Active temp range	5÷60 °C

US patent pending

biopharmax



www.biopharmax.com

4 Hasadnaot Street P.O Box 12644 Herzliya 46728, Israel

Tel: +972-9-9716111 | Fax: +972-9-9716112 | info@biopharmax.com